

Jamestown Pearl

Cabinetry by KWP



OVERLAY

Full 1/4"

DOOR STYLE

Jamestown

DOOR CONSTRUCTION

Mortise and Tenon

DRAWER FRONT

5-Piece

FINISH

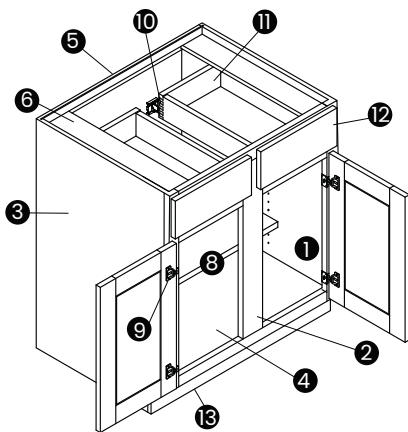
Painted Pearl

3/8" thick finished ends

ADDITIONAL FEATURES

- All Wood Soft Close Drawers
- Slow Close Door Hinges
- 3/4" Shelves
- 5 Year Warranty
- Made in Napanee, IN

Cabinet Specifications



1 Interior

Natural Maple Laminate

2 Face Frame

3/4" thick solid wood; glued, clamped, and screwed.

3 End Panels

3/8" thick laminated furniture board. Interior is light maple wood grain laminate; exterior is painted.

4 Top and Floor

3/8" thick light maple wood grain laminated furniture board.

5 Back

3/8" thick light maple wood grain laminated hardboard.

6 I-Beam (base & vanity cabinets)

I-Beams are dadoed into face frame end panel and back panel, providing extra structural support.

7 Hanger Rail

Hanger rails are pocket screwed to backs of cabinets for enhanced structural integrity.

8 Shelves 3/4" Thick

Wall cabinet shelves will be fully adjustable. Base cabinet shelves will be half depth and fixed into place.

9 Hinges

Six-way adjustable soft-close concealed. Limited Lifetime Warranty.

10 Drawer Guides

Limited Lifetime Warranty. Drawers glide smoothly on self-adjusting full extension soft-close guides.

11 Drawer Box Construction

Four-sided construction featuring dovetail joints. Constructed with 1/2" thick solid wood sides and 1/4" thick plywood captured bottom.

12 Drawer Fronts

3/4" thick 5-piece hardwood to match doors.

13 Toe Kick

Sub toe kick is 4-1/2" high.

Customer Signature (approval) _____ Printed Name _____ Date _____

Jamestown Pearl
Product Information Page

Cabinetry by KWP

I agree to take delivery within 30 days of notification that my order has arrived. Once I have received delivery, I agree to inspect for damage within 7 days. I understand that neither Schillings nor KWP will be held responsible for damage complaints beyond this time frame.

Warranty information

Limited Lifetime Warranty on Drawer Glides and Hinges. Kountry Wood Products warrants to original consumer purchasers for as long as they own their home that they drawer, drawer glides and hinges used in the manufacture of Kountry Wood Products cabinetry shall be free from defects in the material and workmanship under normal use.

5 Year Limited Warranty on Cabinets. In addition, Kountry Wood Products warrants to original consumer purchasers for a period of five years from the original date of purchase that all other components of Kountry Wood Products cabinetry shall be free from defects in material and workmanship under normal use.

This warranty does not cover products that are misused, abused, mishandled, improperly installed, improperly stored, changed, modified, or subject to extreme temperatures or extreme moisture levels. This warranty is not valid for products used for any purpose other than the purpose for which they were intended. This warranty does not cover the cost of installation, removal, subsequent damage, or transportation of the defective product, regardless of whether the work was performed by a contractor, service company, or the consumer.

I am purchasing KWP Spring Orchard **Jamestown** door style with **Pearl** painted finish. Joint fracturing is common with painted wood cabinets, This fracturing is caused by changes in humidity levels within the home caused by varying weather conditions, This expansion and contraction may cause some visible cracks in the painted finish, particularly in the joint areas. Also, there may be a slight color shift due to continued exposure to natural and artificial light sources over time. We mention these characteristics because neither Schillings nor KWP can be responsible for these conditions.

Schillings does not provide installation on cabinetry. Final adjustments to the doors and drawers are necessary and are the responsibility of the installer or the homeowner. If there is a problem that requires a replacement order, Schillings will do what we can to get the replacement product order rushed. However, Schillings cannot guarantee lead times and cannot offer monetary compensation or discounts for any delays.

Also, please be advised that additional labor costs can be incurred by adding materials that are labor intensive to install (ex: handles, moldings, roll out trays, etc).

The standard order time is 5-6 weeks. This timeframe does not account for any production delays caused by holidays or plant shutdowns. Schillings cannot guarantee lead times.

Customer Signature (approval) _____

Printed Name _____

Salesperson _____

Deposit Ticket _____

Today's Date _____

Last Revised 10/04/22