

## Lancaster Earl Grey

## Silverline Cabinetry by MEDALLION



### Overlay

Full 1 1/4"

### Door Style

Lancaster - Shaker

### Door Construction

Mortise and Tenon

### Drawer Front

5-Piece MDF

### Wood Species

Maple & MDF

### Finish

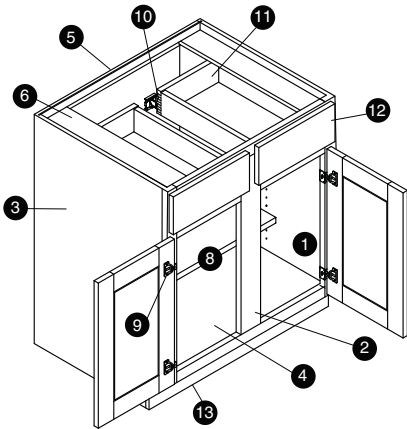
Earl Grey - Premium Paint

### Additional Features

- All Wood Soft Close Drawers
- Slow Close Door Hinges
- 3/4" Shelves
- Limited Lifetime Warranty
- Made in Culver, IN

Optional 1/2" thick plywood finished ends  
NOTE: This option is only for the exposed ends

## Cabinet Specifications



### 1 Interior

Natural Maple Laminate

### 2 Face Frame

3/4" thick solid wood; glued, clamped, and screwed.

### 3 End Panels

1/2" thick laminated furniture board\*. Interior is light maple wood grain laminate; exterior is wood grain laminate.

### 4 Top and Floor

1/2" thick light maple wood grain laminated furniture board\*.

### 5 Back

1/8" thick light maple wood grain laminated hardboard. Grain direction is horizontal on walls, bases, and vanities and vertical on tall cabinets; however, grain direction of finished interior cabinets is vertical.

### 6 I-Beam (applicable to base and vanity base cabinets)

I-Beams are dadoed into face frame end panel and back panel, providing extra structural support.

### 7 Hanger Rail (back exterior of wall cabinet)

Hanger rails are pocket screwed to backs for enhanced structural integrity.

### 8 Shelves 3/4" Thick

Standard wall, full-height door base, and peninsula base cabinets receive full-depth shelving. Standard base door/drawer cabinets receive 3/4" depth shelves; full depth shelf (FDS) modification available.

### 9 Hinges

Six-way adjustable concealed. Smart close hinges open a maximum of 110°. Left door shown in drawings are depicted open beyond actual allowance to show cabinet interior details.

### 10 Drawer Guides

Smartmotion FX guide system consists of ball bearing mechanics and full extension hardware for full access. Guides are installed to bottom of drawer box or roll-out tray in an undermount concealed fashion and include a 'positive' close feature; when closing, guide system prevents drawer or roll-out tray from 'bouncing' back open. An additional mechanism controls closure in a smooth, uniform manner – it will not slam. This soft-close operation takes affect approximately 2" from final closed position. Smartmotion FX's easy-release mechanism provides quick removal of drawer/roll-out tray. This guide system has a 75 lb weight capacity.

### 11 Drawer Box Construction

Four-sided construction featuring dovetail joints. Constructed with 3/4" thick hardwood sides and 1/4" thick plywood\*\* captured bottom. Clear coat applied.

### 12 Drawer Fronts

Drawer fronts are adjustable 1/8" vertically and horizontally. Adjustments should be made prior to installation of decorative hardware.

### 13 Toe Kick

Sub toe kick is 4 1/2" high x 3 3/4" deep x 1/2" thick furniture board\* and does not match finish of cabinet.

Customer Signature (approval) \_\_\_\_\_ Printed Name \_\_\_\_\_ Date \_\_\_\_\_

### For Office Use Only

	Y	N	Initial	Date
Measure Tech Reviewed	Y	N		
Appliance Specs	Y	N		
Sink Centered w/Window	Y	N		
Equal Window Reveal	Y	N		

	Y	N	Initial	Date
Walkway Space	Y	N		
Ceiling Height	Y	N		
Molding Detail	Y	N		
Casing Clearance	Y	N		

**Lancaster Earl Grey**  
Product Information Page

Silverline Cabinetry by MEDALLION

I agree to take delivery within 30 days of notification that my order has arrived. Once I have received delivery, I agree to inspect for damage within 7 days. I understand that neither Schillings nor Medallion will be held responsible for damage complaints beyond this time frame.

**Warranty information**

Medallion cabinets are certified by the Kitchen Cabinet Manufacturers Association (KCMA). This assures you that Medallion cabinets comply with the rigorous standards set by the American National Standards Institute (ANSI). Medallion warrants its cabinetry to be free of defects in material and/or workmanship under normal residential usage to the original purchaser for as long as they own their home. These warranties are only applicable to product used in residential applications within the United States and Canada and are not transferable to subsequent owners.

Silverline cabinetry comes complete with a Lifetime Limited Warranty. More information and specifics are defined on the Medallion website or upon request from vendor.

---

I am purchasing Medallion **Lancaster** door style, **Maple & MDF** wood species, with **Earl Grey** painted finish. Joint fracturing is common with painted wood cabinets. Fracturing is caused by changes in humidity levels within the home caused by varying weather conditions. This expansion and contraction may cause some visible cracks in the painted finish, particularly in the joint areas. Also, there may be a slight color shift due to continued exposure to natural and artificial light sources over time. We mention these characteristics because neither Schillings nor Medallion can be responsible for these conditions.

---

Schillings does not provide installation on cabinetry. Final adjustments to the doors and drawers are necessary and are the responsibility of the installer or the homeowner. If there is a problem that requires a replacement order, Schillings will do what we can to get the replacement product order as fast as possible. However, Schillings cannot guarantee lead times and cannot offer monetary compensation or discounts for any delays.

Also, please be advised that additional labor costs can be incurred by adding materials that are labor intensive to install (ex: handles, moldings, roll out trays, etc).

The standard order time is 3-4 weeks. This timeframe does not account for any production delays caused by holidays or plant shutdowns. Schillings cannot guarantee lead times.

**Customer Signature (approval)** \_\_\_\_\_

**Printed Name** \_\_\_\_\_

**Salesperson Name** \_\_\_\_\_

**Special Order #** \_\_\_\_\_

**Today's Date** \_\_\_\_\_ **ETA** \_\_\_\_\_