

# QuickPICK SHOWER DOORS

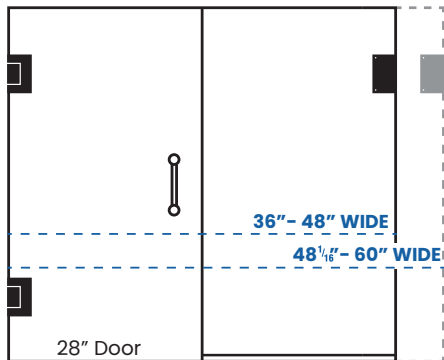
Schillings

FREE MEASURE » FREE DELIVERY » FREE INSTALL

QUICKPICK SHOWER DOOR  
WITH INLINE PANEL

## STEP 1

CHOOSE YOUR OPENING WIDTH



**36" - 48" WIDE**  
SCHQS3648 (\$1,699)

OR

**48<sup>1</sup>/<sub>16</sub>" - 60" WIDE**  
SCHQS4860 (\$1,799)

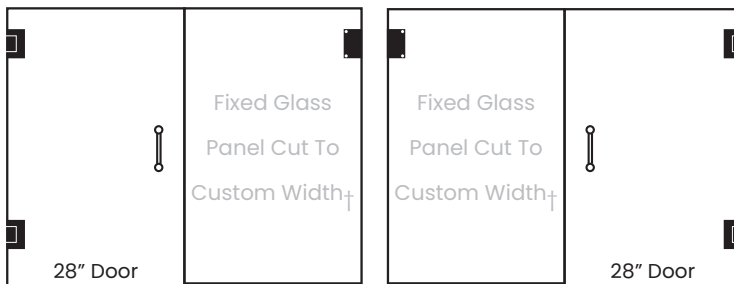
- QuickPick shower doors are all 28" wide.
- No additional charge for buttress or notched panel. Please notate this on your order form.
- Actual dimensions subject to field measure and final customer sign off.
- Tile must be installed prior to field measure.
- Additional fee applies for any return trip to a jobsite - sku: TRIPCHARGE (\$150)
- QuickPick Shower Doors are clear 3/8" tempered safety glass and features Showerguard stain protection.

**Showerguard** Showerguard - Permanently seals the surface of the glass for lasting beauty with less maintenance. An invisible protective coating is fused to the surface, creating a smooth surface highly resistant to dirt, soap and hard water buildup that dulls and etches ordinary glass. ShowerGuard never needs to be reapplied, and ShowerGuard coated glass is backed by a robust lifetime limited warranty.

## STEP 2

CHOOSE YOUR HINGE TYPE & LOCATION

### WALL MOUNT HINGE



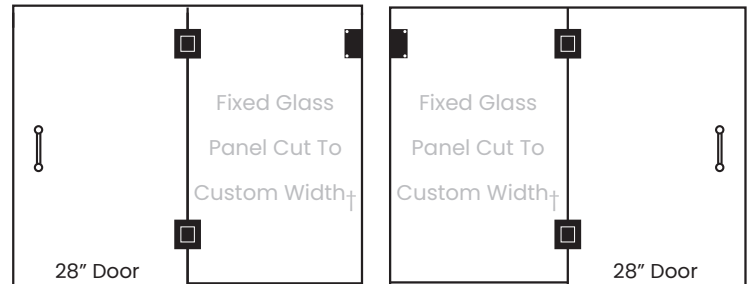
**Left Off Wall**

Outside

**Right Off Wall**

Outside

### GLASS TO GLASS HINGE



**Left Off Glass**

Outside

**Right Off Glass**

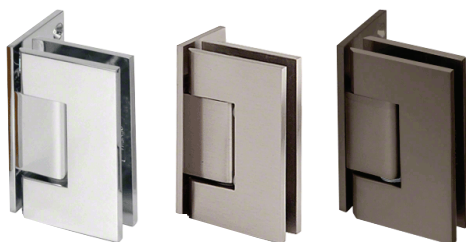
Outside

† Panel width subject to actual field measurement

## STEP 3

CHOOSE YOUR FINISH

### STANDARD FINISH



**Chrome**

**Brushed Nickel**

**Oil Rubbed Bronze**

### UPGRADE FINISH



**Matte Black**  
**\$99**  
sku: FINISHUP

• Hinges, Header, Trim, and Handle will match the finish chosen above

## STEP 4

CHOOSE YOUR HANDLE



**Standard Handle**

**Mitered Handle**

**H-Style Handle**

- QuickPick handles are 8" on center
- Door Handles will match finish of Hinges and Header

# QuickPICK SHOWER DOORS

**Schillings**

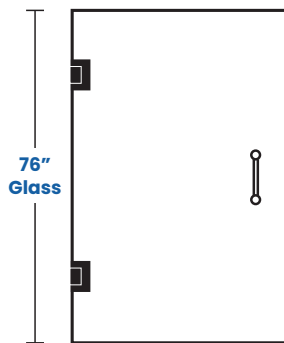
FREE MEASURE » FREE DELIVERY » FREE INSTALL

**QUICKPICK SHOWER DOOR  
WITH INLINE PANEL**

## STEP 5

CHOOSE YOUR GLASS HEIGHT

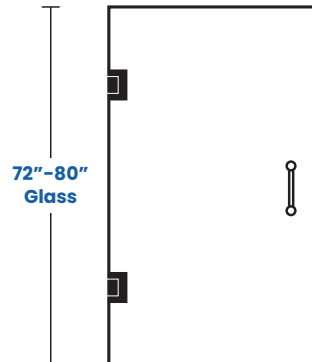
STANDARD GLASS HEIGHT (76")



**Standard Height**  
No Upcharge

OR

CUSTOM GLASS HEIGHT UPGRADE (72"-80")



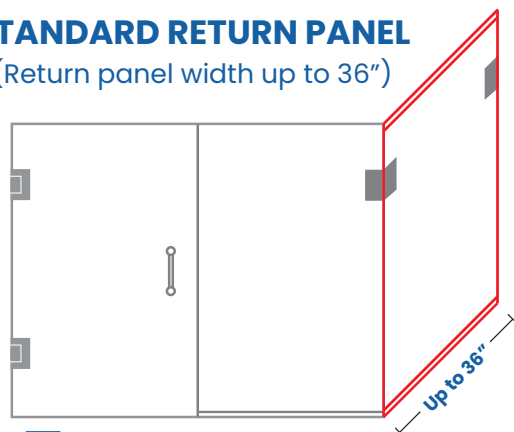
**Custom Height**  
\$199  
Custom Height: \_\_\_\_\_

(Overall shower door height is measured from finished curb/threshold surface to top of glass panel. Custom glass height is any size between 72"-80" excluding standard 76" height.)

## STEP 6

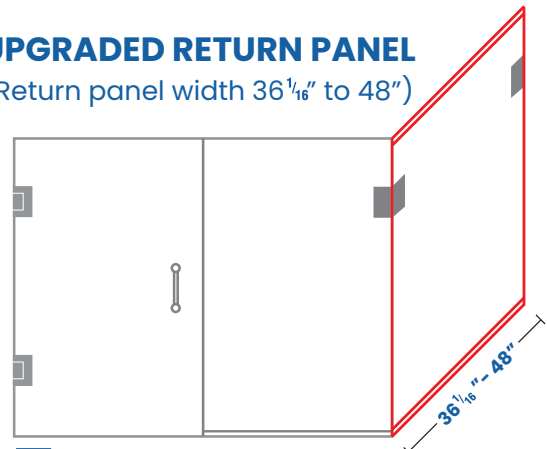
CHOOSE YOUR RETURN PANEL (OPTIONAL)

**STANDARD RETURN PANEL**  
(Return panel width up to 36")



sku: 36RETURN (\$699)

**UPGRADED RETURN PANEL**  
(Return panel width 36 1/16" to 48")



sku: 3648RETURN (\$799)

• Header required with glass to glass hinge configuration

• No additional charge for buttress or notched return panel

Customer Signature \_\_\_\_\_

Printed Name \_\_\_\_\_

Salesperson Name \_\_\_\_\_

Special Order # \_\_\_\_\_

Today's Date \_\_\_\_\_

Quick Pick Shower Door pricing includes measure, delivery, and installation. If cancellation is requested after a job has been measured, a \$150.00 fee will apply.

### COST BREAKDOWN

SCHQS3648 (\$1,699) — OR — SCHQS4860 (\$1,799)	\$ _____
FINISHUP (\$99)	\$ _____
STANDARD HEIGHT (N/C) — OR — CUSTOMHEIGHT (\$199)	\$ _____
36RETURN (\$699)	\$ _____
3648RETURN (\$799)	\$ _____
<b>Total Amount Due</b>	<b>\$ _____</b>

07/29/22

**Baths**

8900 Wicker Ave, St. John, IN 46373

9900 191st Street, Mokena, IL 60448

888-365-6005

[schillings.com](http://schillings.com)